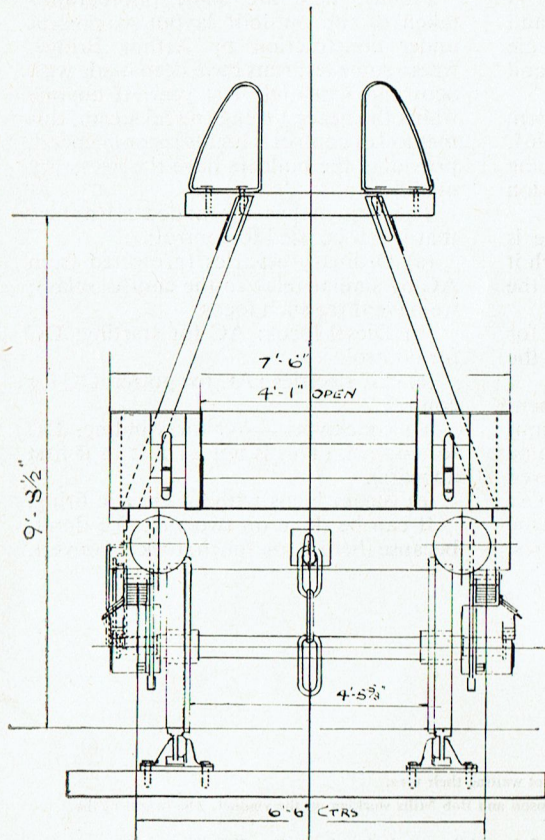


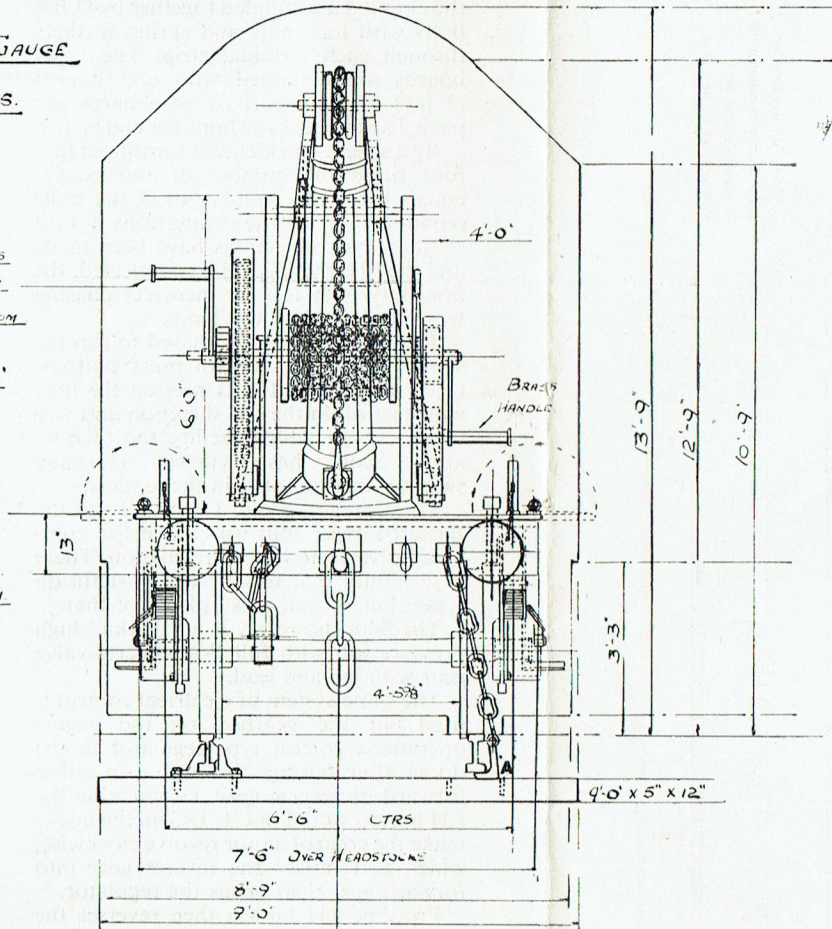
MIDLAND LOADING GAUGE

13 FT 9 IN.

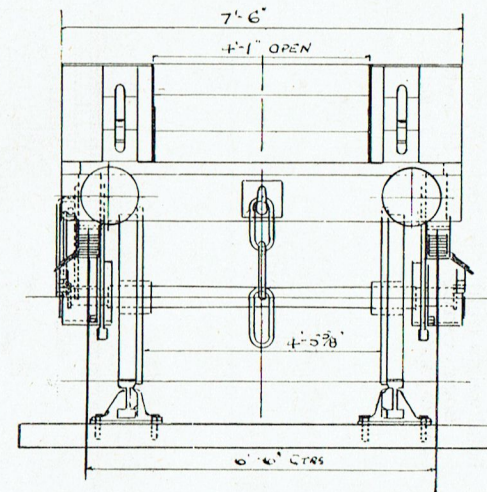


BRASS HANDLE  
 ← JIB LOADING FROM THIS DIRECTION  
 CRANE ANCHORED AT 'A'

EXTENSION FLAPS  
 FITTED TO SOME CRANES  
 NOT TO NO. 2 WHEN DRAWN

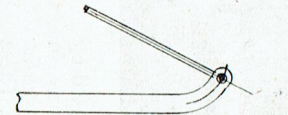


Drawing full size for 7 mm./ft. scale.  
 For non-commercial purposes it may be photostatted to any scale



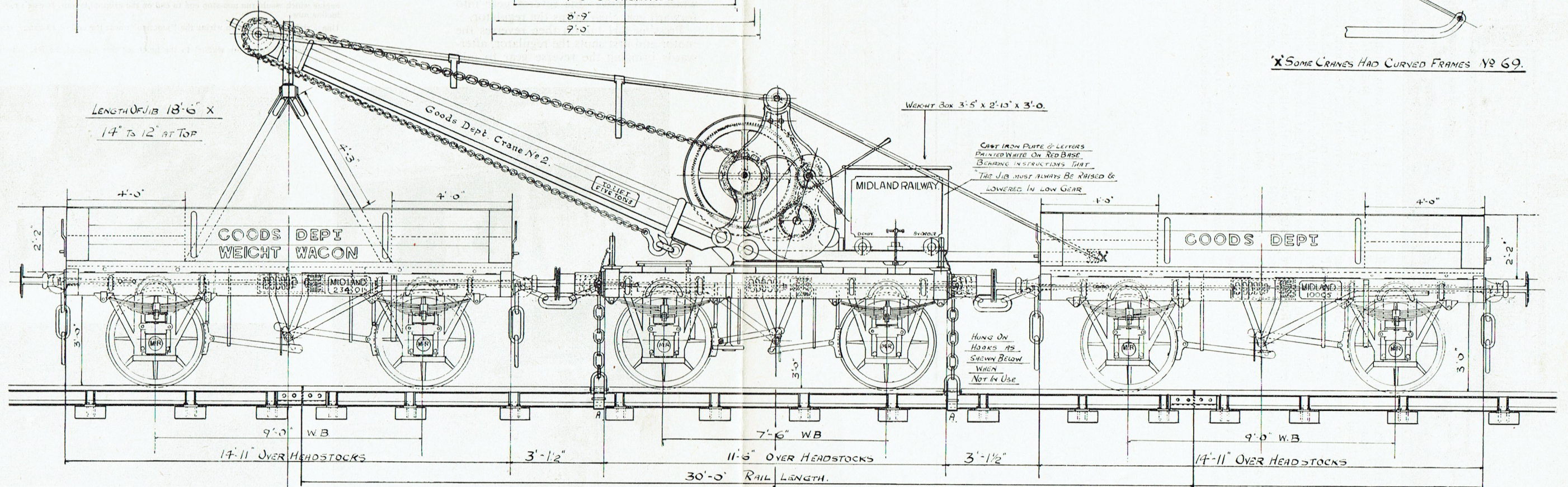
**Wagon page**

**MIDLAND RAILWAY TRAVELLING CRANE No. 2.**



\*SOME CRANES HAD CURVED FRAMES NO. 69.

LENGTH OF JIB 13'-6" X  
 14" TO 12" AT TOP



CAST IRON PLATE & LETTERS  
 PAINTED WHITE ON RED BASE  
 BEARING INSTRUCTIONS THAT  
 THE JIB MUST ALWAYS BE RAISED &  
 LOWERED IN LOW GEAR

HUNG ON  
 HOOKS AS  
 SHOWN BELOW  
 WHEN  
 NOT IN USE